

Order Information concerning the Spare Parts List  
-----

When placing orders for spare parts, please give only the order numbers stated in the spare parts list.

The order number can refer to 1 piece or 1 repair set, (multiple quantity).

The minimum order quantity for each order number must correspond to the packed quantity or multiples of the packing quantity.

Examples:

1. A customer orders 10 pieces

Quantity delivered:

Price charged:

1 package with 10 pieces V04711  
10 x V04711 at 0,90 DM each,  
total price = 9,00 DM (minimum price)

2. A customer orders 3 pieces

When booking the order in the EDP, the order quantity is automatically increased to 10 pieces.

Order quantity and price charged, see para. 1.

3. A customer orders 16 pieces

When booking the order, the order quantity is automatically increased to the next higher packing quantity - 20 pieces.

Quantity delivered:

Price charged:

2 packages with 10 x V04712  
each  
20 x V04712 at 0,90 DM each,  
total price = 18,--DM

A repair-exchange (RE) is normally only carried out if a repairable part has been returned by the customer. At customers request Dräger is also prepared to send RE-goods in advance in this case, however, Dräger will charge the list price for the new part if customers old part is not received within a period of 3 calendar weeks.

Information concerning the handling of spare parts sets in case  
-----

of repair:  
-----

For technical reasons, it is always necessary to exchange complete sets. Only in this way, can the correct functioning of the repaired device be ensured.

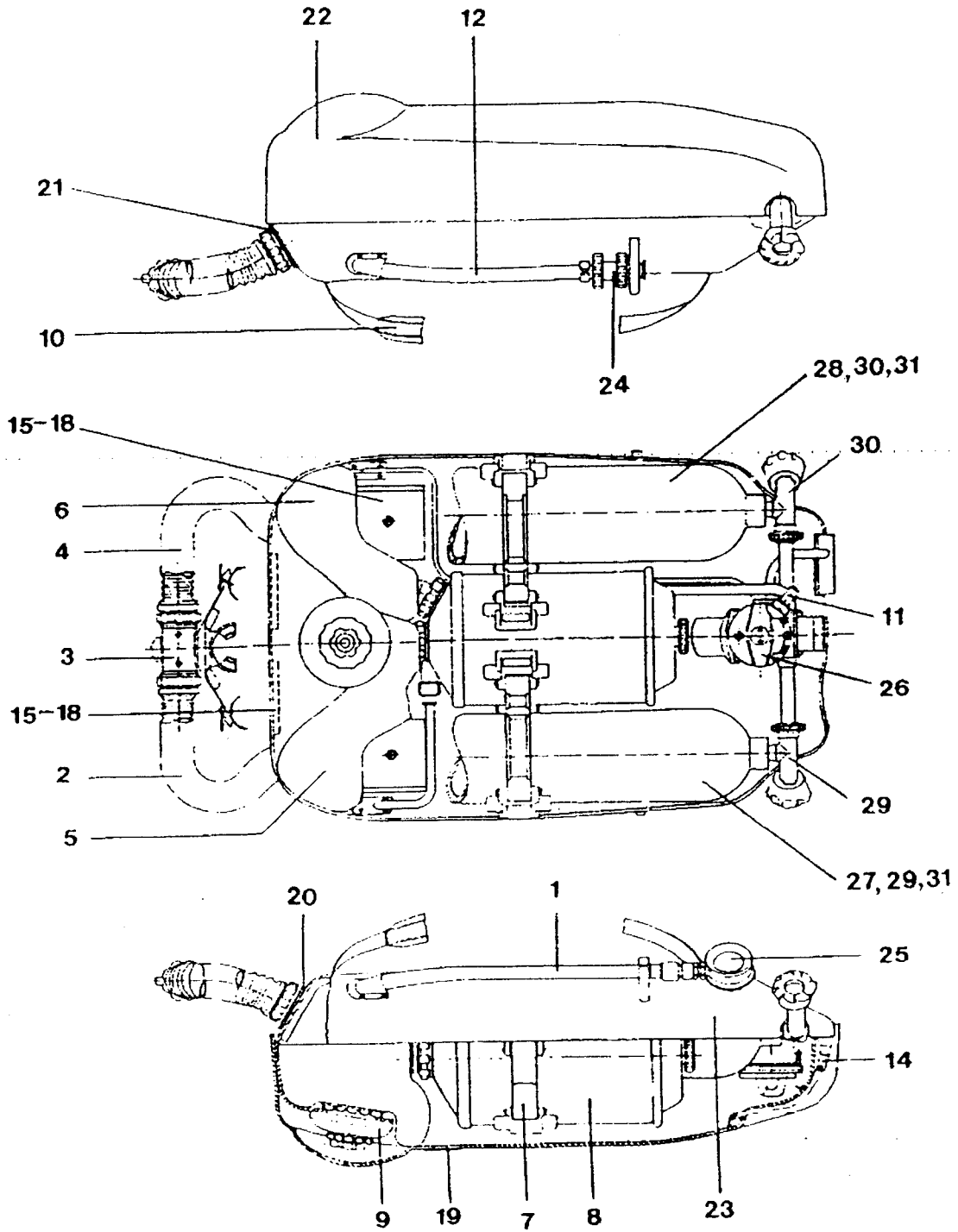
subject to change without notice.

Spare parts list  
FGG III Mixed-Gas Diving Unit

Edition  
06.05.91

Spare parts list  
2216.1 e  
Sheet : 1  
Image : 1

T11448



DrägerService  
Industrial Safety

subject to change without notice

Spare parts list  
FGG III Mixed-Gas Diving Unit

Edition  
06.05.91

Spare parts list  
2216.1 e  
Sheet : 2

T11448

Item Number	Designation	Order Code	Packaged Quantity
1-26	MIXED GAS DIVING UNIT FGGIII	T11448	
1	CF. GERMAN DESCRIPTION	T10037	
2	INHALATION HOSE, ASSY	T12678	
3	VALV. MOUTHPIECE	T09634	
4	EXHALATION HOSE, ASSY	T12679	
5	INSPIRATION BAG	T12183	
6	EXSPIRATION BAG	T12184	
7	CYLINDER SUPPORT	T12681	
8	SODA LIME CONTAINER	T10069	
9	EXCESS PRESSURE VALVE	T11380	
10	HARNESS, COMPL. T10730		
11	CONNECTING LINE	T10114	
12	CF. GERMAN DESCRIPTION	T10685	
13	NOT ILLUSTRATED: CF. GERMAN DESCRIPTION	T10705	
14	SUPPORT	T12680	
19	TT-EMBLEM 50	9015366	10
20	RING NUT	T10748	5
21	RING NUT	T10749	5
22	HOUSING COVER	T10630	
25	PRESSURE GAUGE	7262023	
26	PRESSURE REDUCER (METERED)	T11437	
27, 29, 31	MIXED GAS CYLINDER 4 L GA (UNLETTERED)	B03288	
28, 30, 31	MIXED GAS CYLINDER 4 L GA	B03289	

DrägerService  
Industrial Safety

subject to change without notice

Spare parts list  
FGG III Mixed-Gas Diving Unit

Edition  
06.05.91

Spare parts list  
2216.1 e  
Sheet : 3

T11448

Item Number	D e s i g n a t i o n	Order Code	Packaged Quantity
	(UNLETTERED)		
29	GAS CYLINDER VALVE, LEFT SEE S. P. LIST 9811.0020.1621	V04210	
30	GAS CYLINDER VALVE, RIGHT SEE S. P. LIST 9811.0020.1621	V04215	
31	SEALING CAPS	D04739	10

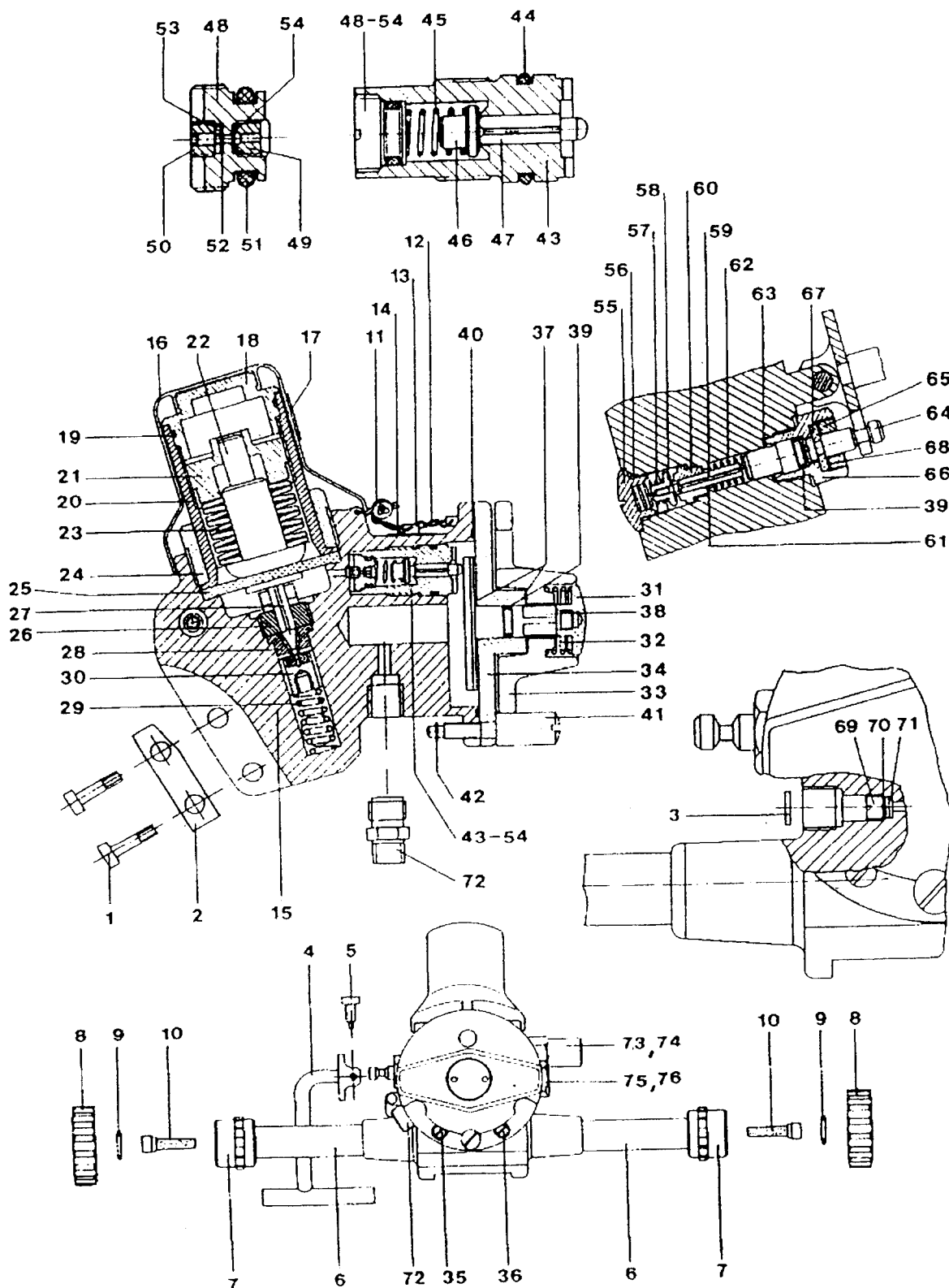
subject to change without notice.

Spare parts list  
FGG III Mixed-Gas Diving Unit

Edition  
06.05.91

Spare parts list  
2216.1 e  
Sheet : 4  
Image : 2

T11448



subject to change without notice

Spare parts list  
FGG III Mixed-Gas Diving Unit

Edition  
06.05.91

Spare parts list  
2216.1 e  
Sheet : 5

T11448

Item Number	Designation	Order Code	Packaged Quantity
1	SCREW	T10714	5
2	SUPPORT	T10905	5
3	COPPER RING	D04873	10
4	BY-PASS LEVER	T12804	
5	SCREW	T10751	
6-76	PRESSURE REDUCER	T11437	
6	CONNECTOR	T10125	
7	CONNECTION NUT	R21379	
8	HAND WHEEL	R20318	
9	WASHER	R21001	10
10	SCREEN INSERT	D02316	5
11-13	REP.SET LEAD SEAL	T13027	
11	LEAD SEAL	D12378	20
12	LEAD SEAL WIRE RD 0,5-5 M	T13028	
17	TT-EMBLEM 20	9015365	10
19	O-RING	T08722	10
20	GUIDE BUSH	T10487	
21	ADJUSTING SCREW	T10488	
22	GUIDE BOLT	T10489	
25	DIAPHRAGM	T10491	5
30	CLOSING BOLT	T10766	
31	SCREW NUT	T10535	
32	SPRING	T10542	5
33	SWITCH	T10536	

DrägerService  
Industrial Safety

subject to change without notice

Spare parts list  
FGG III Mixed-Gas Diving Unit

Edition  
06.05.91

Spare parts list  
2216.1 e  
Sheet : 6

T11448

Item Number	Designation	Order Code	Packaged Quantity
39	O-RING	T08731	10
40	O-RING	T10549	10
43-54	SET OF 3 DOSAGE UNIT (T11785)	T12891	
44	O-RING	T10359	10
51	O-RING	T08731	10
55	CLOSING SCREW	T10362	5
56	O-RING	T10359	10
57	SPRING	T10361	5
61	WASHER	T10357	10
62	SPRING	T10816	5
63	WASHER	M07144	10
39, 64-68	BYPASS	T12188	
69	SCREEN SCREW	R03966	5
70	SCREEN	D05579	50
71	SCREEN	D04744	20
73	SAFETY VALVE	T10485	
74	COPPER RING	D06931	10
76	CF. GERMAN DESCRIPTION	M13266	

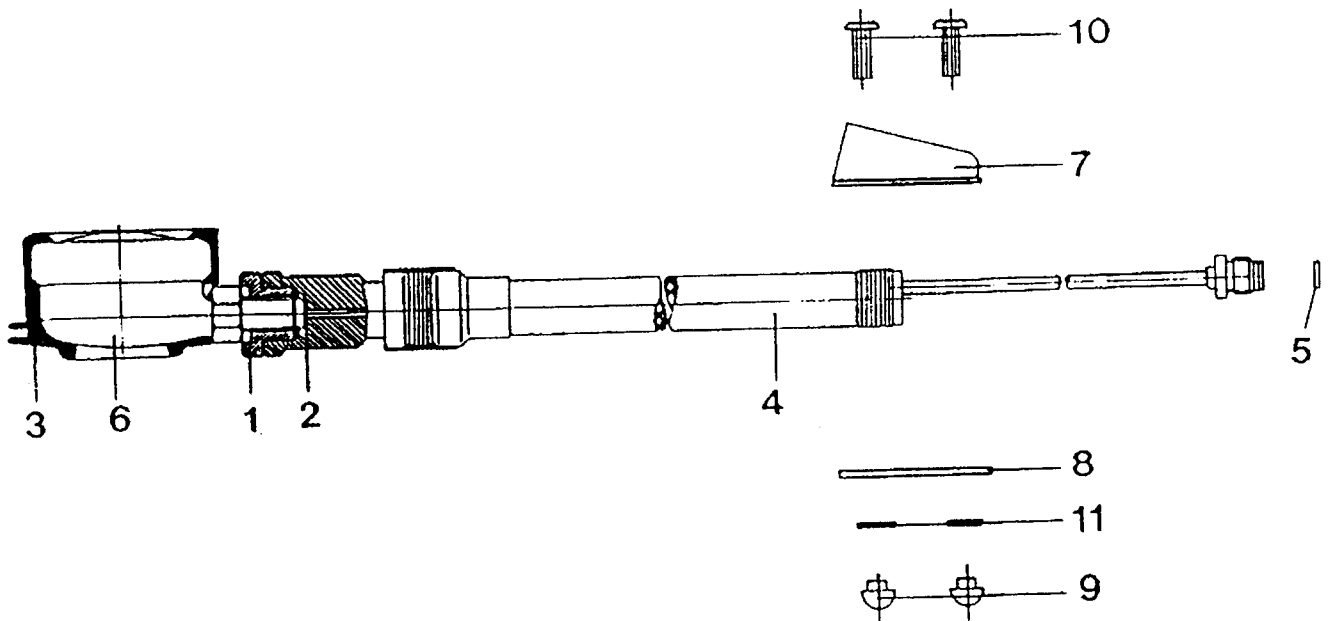
subject to change without notice.

Spare parts list  
FGG III Mixed-Gas Diving Unit

Edition  
06.05.91

Spare parts list  
2216.1 e  
Sheet : 7  
Image : 3

T11448





DrägerService  
Industrial Safety

subject to change without notice

Spare parts list  
FGG III Mixed-Gas Diving Unit

Edition  
06.05.91

Spare parts list  
2216.1 e  
Sheet : 8

T11448

Item Number	D e s i g n a t i o n	Order Code	Packaged Quantity
1-5	CF. GERMAN DESCRIPTION	T10037	
2	WASHER	R10247	10
3	PRESSURE GAUGE PROT. COVER	R21036	
4	PRESSURE GAUGE PIPE	T10038	
5	COPPER RING	D04873	10
6	PRESSURE GAUGE	7262023	

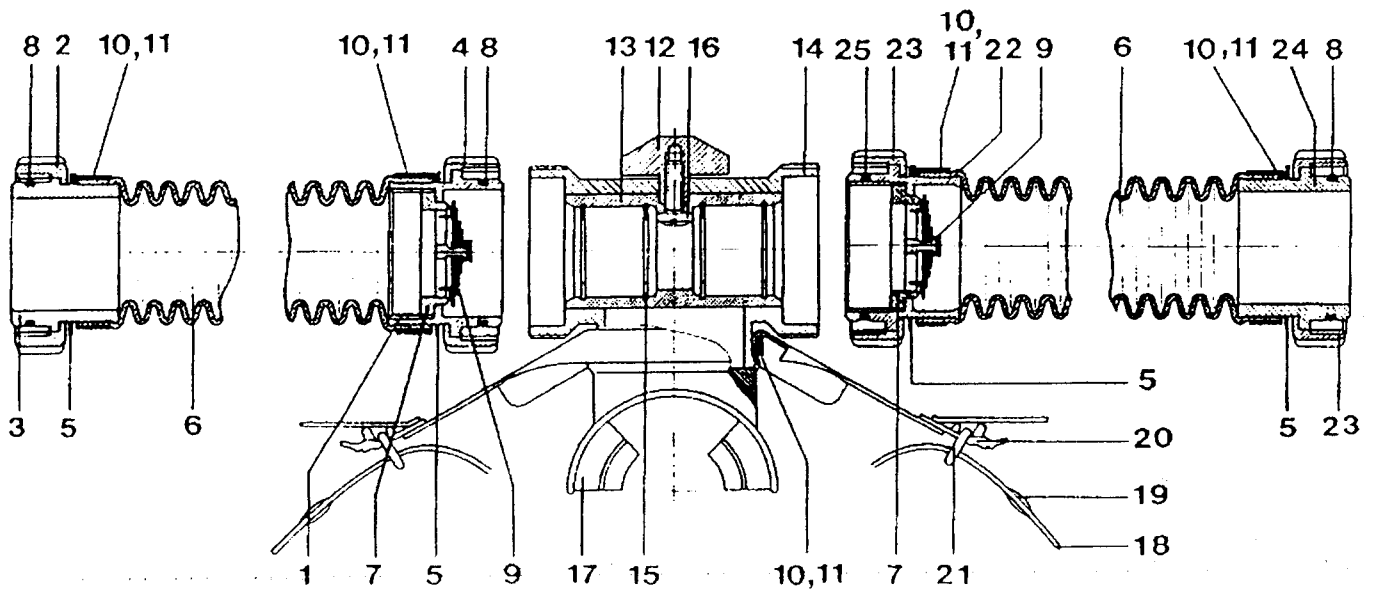
subject to change without notice.

Spare parts list  
FGG III Mixed-Gas Diving Unit

Edition  
06.05.91

Spare parts list  
2216.1 e  
Sheet : 9  
Image : 4

T11448



subject to change without notice

Spare parts list  
FGG III Mixed-Gas Diving Unit

Edition  
06.05.91

Spare parts list  
2216.1 e  
Sheet : 10

T11448

Item Number	D e s i g n a t i o n	Order Code	Packaged Quantity
1-11	INHALATION HOSE, ASSY	T12678	
1	CONNECTION PIECE	T09830	
2	SWIVEL NUT	T09612	
3	CONNECTION PIECE	T09877	
4	SWIVEL NUT	T09813	
5	SLIDE RING	T10207	10
6	CORRUGATED HOSE	T05466	
7	VALVE LOWER PART	T08625	2
8	O-RING	T10612	10
9	VALVE DISC	RM05011	10
10	HOSE	T06684	10
11	ROLL OF YARN POLYEST.GR.(1000M	1203479	
10-21	VALV. MOUTHPIECE	T09634	
17	RUBBER MOUTHPIECE	T11533	5
18-21	HEAD STRAP	T50280	
5-11, 22-25	EXHALATION HOSE, ASSY	T12679	
22	CONNECTION PIECE	T09842	
23	SWIVEL NUT	T11477	2
24	CONNECTION PIECE	T09816	
25	O-RING	T09843	10

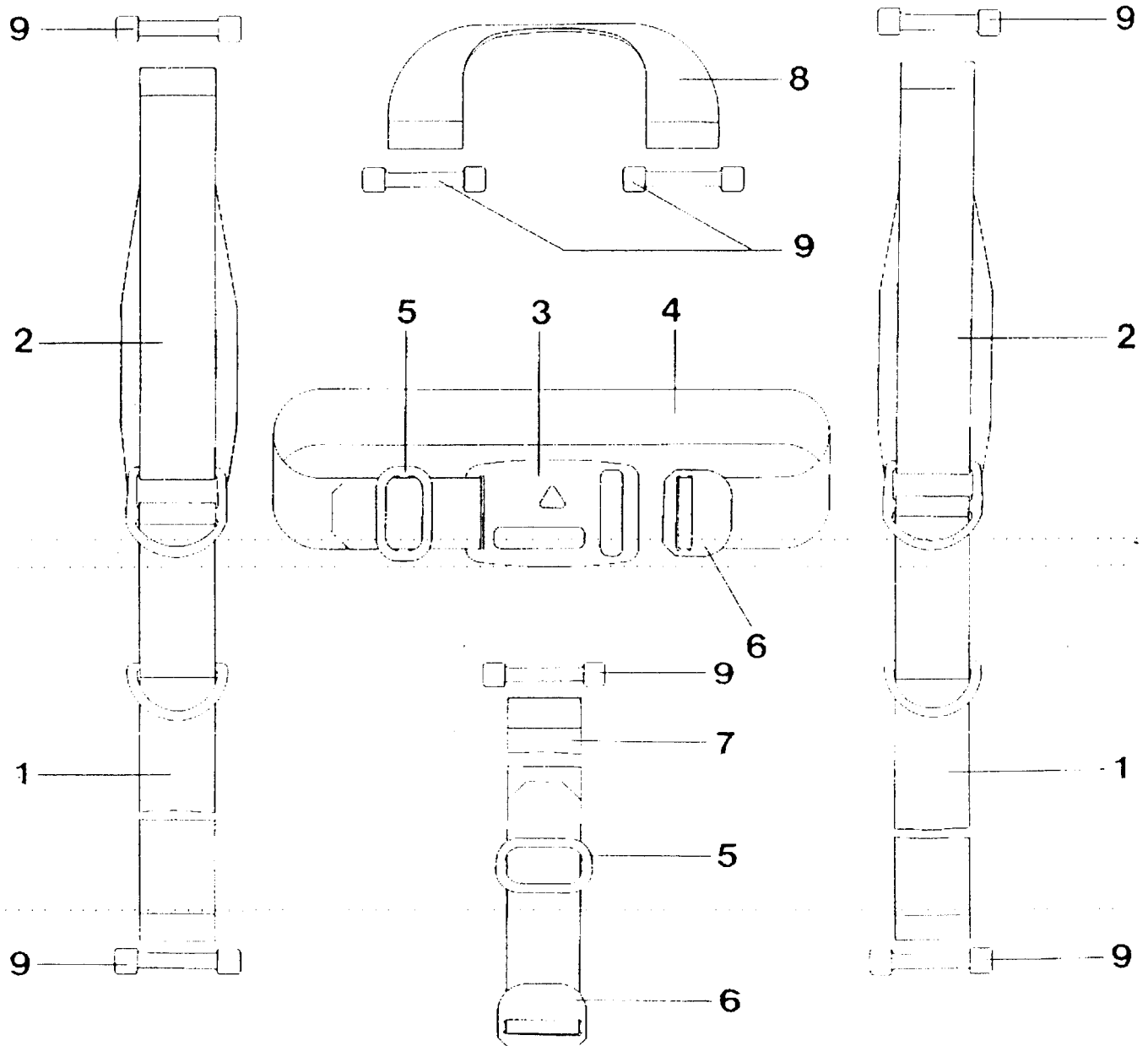
subject to change without notice.

Spare parts list  
FGG III Mixed-Gas Diving Unit

Edition  
06.05.91

Spare parts list  
2216.1 e  
Sheet : 11  
Image : 5

T11448



DrägerService  
Industrial Safety

subject to change without notice

Spare parts list  
FGG III Mixed-Gas Diving Unit

Edition  
06.05.91

Spare parts list  
2216.1 e  
Sheet : 12

T11448

Item Number	D e s i g n a t i o n	Order Code	Packaged Quantity
1-7	HARNESS, COMPL. T10730		
1-2	CARR. STRAP	T10721	
3-6	BODY BELT	T10723	
3	SADDLE APRON	T10724	
5-7	CROTCH BELT	T10722	
5	SLIDE	T10726	5
6	BUCKLE	T10725	5
8	HANDLES	T12203	
9	TOGGLE	T10550	10

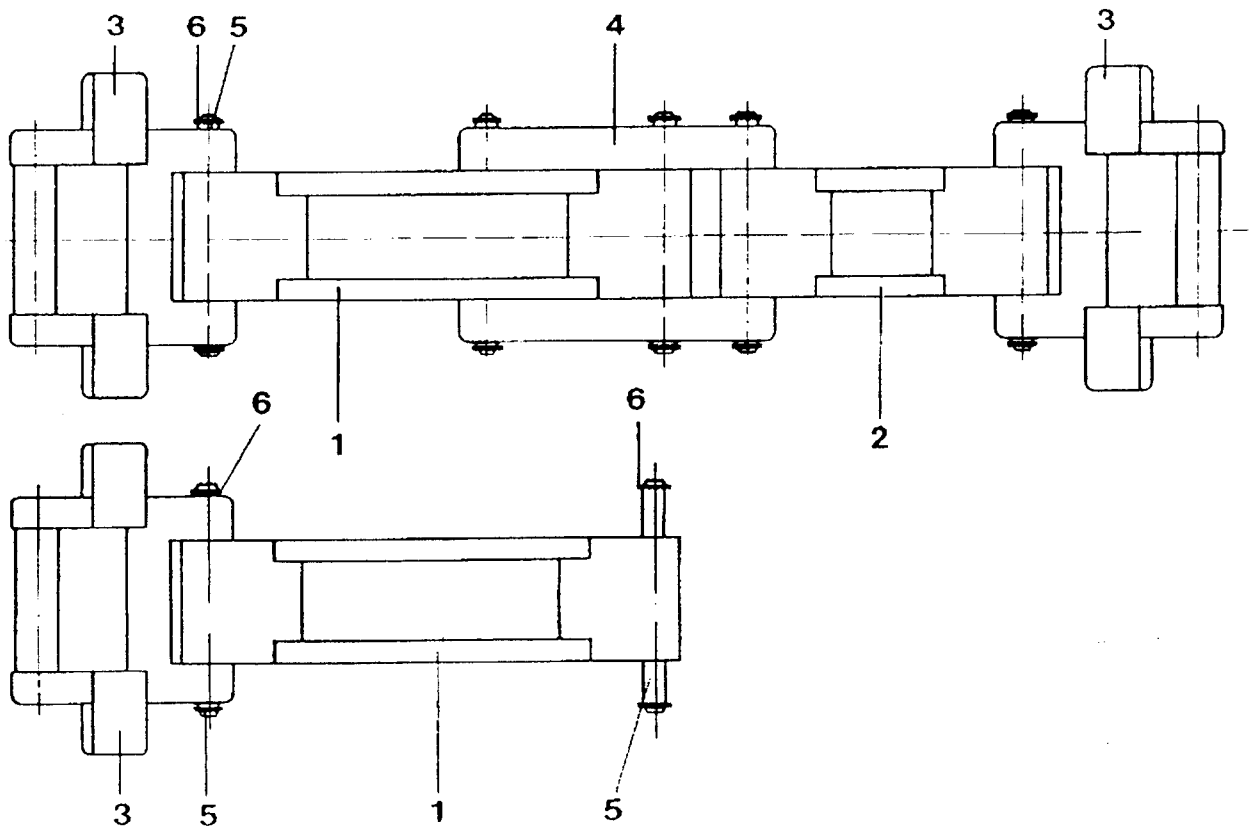
subject to change without notice.

Spare parts list  
FGG III Mixed-Gas Diving Unit

Edition  
06.05.91

Spare parts list  
2216.1 e  
Sheet : 13  
Image : 6

T11448



subject to change without notice

Spare parts list  
FGG III Mixed-Gas Diving Unit

Edition  
06.05.91

Spare parts list  
2216.1 e  
Sheet : 14

T11448

Item Number	D e s i g n a t i o n	Order Code	Packaged Quantity
1,3,5+6	SUPPORT	T12680	
1-6	CYLINDER SUPPORT	T12681	
1	TIGHTENING STRAP	T09818	2
2	TIGHTENING STRAP	T10096	
3	TENSION DEVICE	T10094	
5	SWAFT	T10093	10
6	THRUST WASHER	1321978	50

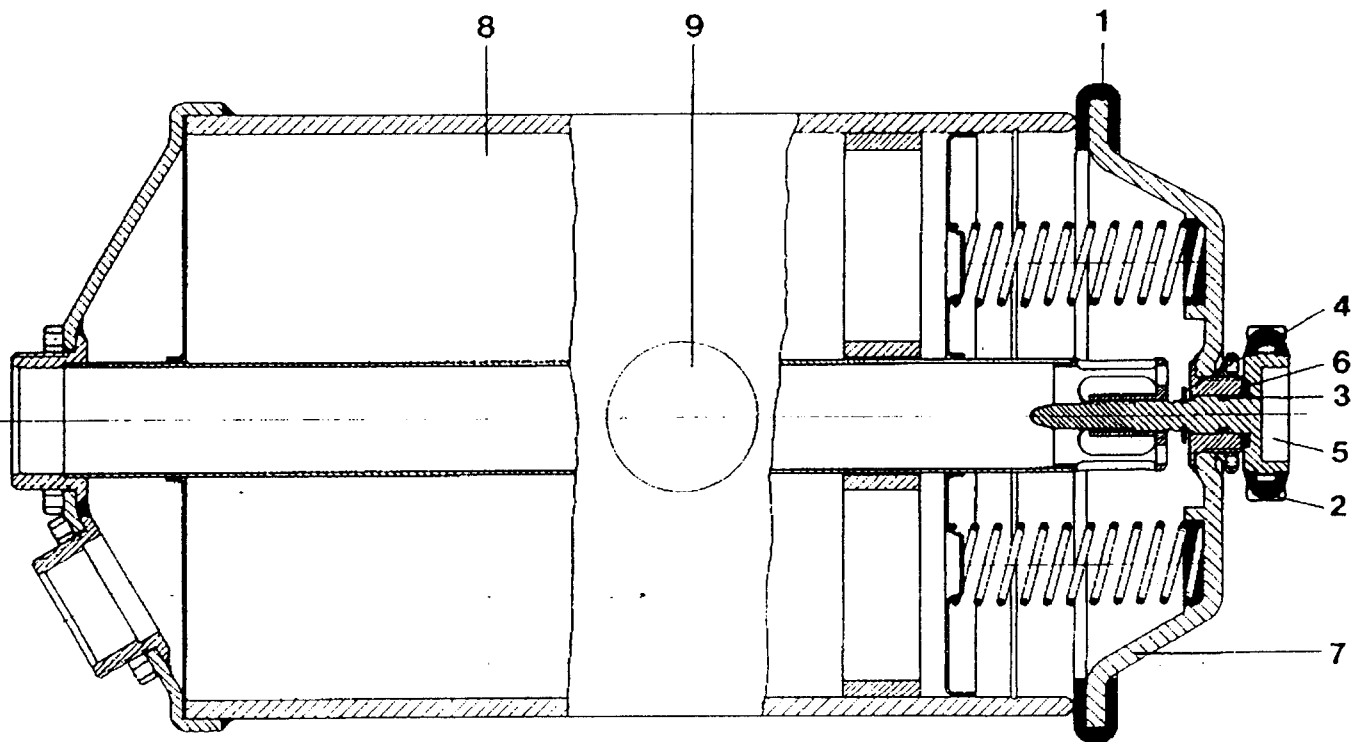
subject to change without notice.

Spare parts list  
FGG III Mixed-Gas Diving Unit

Edition  
06.05.91

Spare parts list  
2216.1 e  
Sheet : 15  
Image : 7

T11448





subject to change without notice

Spare parts list  
FGG III Mixed-Gas Diving Unit

Edition  
06.05.91

Spare parts list  
2216.1 e  
Sheet : 16

T11448

Item Number	D e s i g n a t i o n	Order Code	Packaged Quantity
1-9	SODA LIME CONTAINER	T10069	
1-7	REP.SET CONTAINER LID	T12851	
2-6	REP.SET INSERT	T13024	
2	HAND WHEEL	R20728	
3	O-RING	T08731	10
4	THRUST WASHER 7 DIN6799	1331876	25
8	SODA LIME CONTAINER	T11640	
9	TT-EMBLEM 50	9015366	10

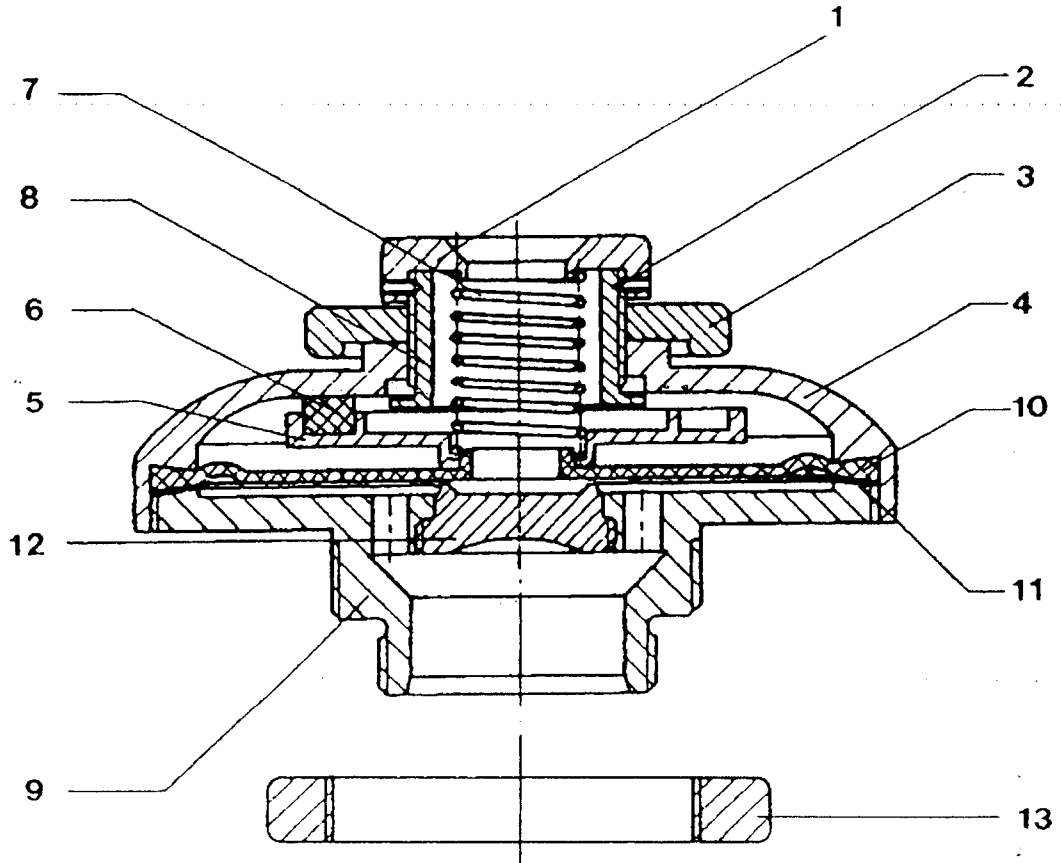
subject to change without notice.

Spare parts list  
FGG III Mixed-Gas Diving Unit

Edition  
06.05.91

Spare parts list  
2216.1 e  
Sheet : 17  
Image : 8

T11448



DrägerService  
Industrial Safety

subject to change without notice

Spare parts list  
FGG III Mixed-Gas Diving Unit

Edition  
06.05.91

Spare parts list  
2216.1 e  
Sheet : 18

T11448

Item Number	D e s i g n a t i o n	Order Code	Packaged Quantity
1-12	EXCESS PRESSURE VALVE	T11380	
10	DIAPHRAGM	T04010	10
11	SLIDING RING	T10609	10
12	CF. GERMAN DESCRIPTION	T10574	

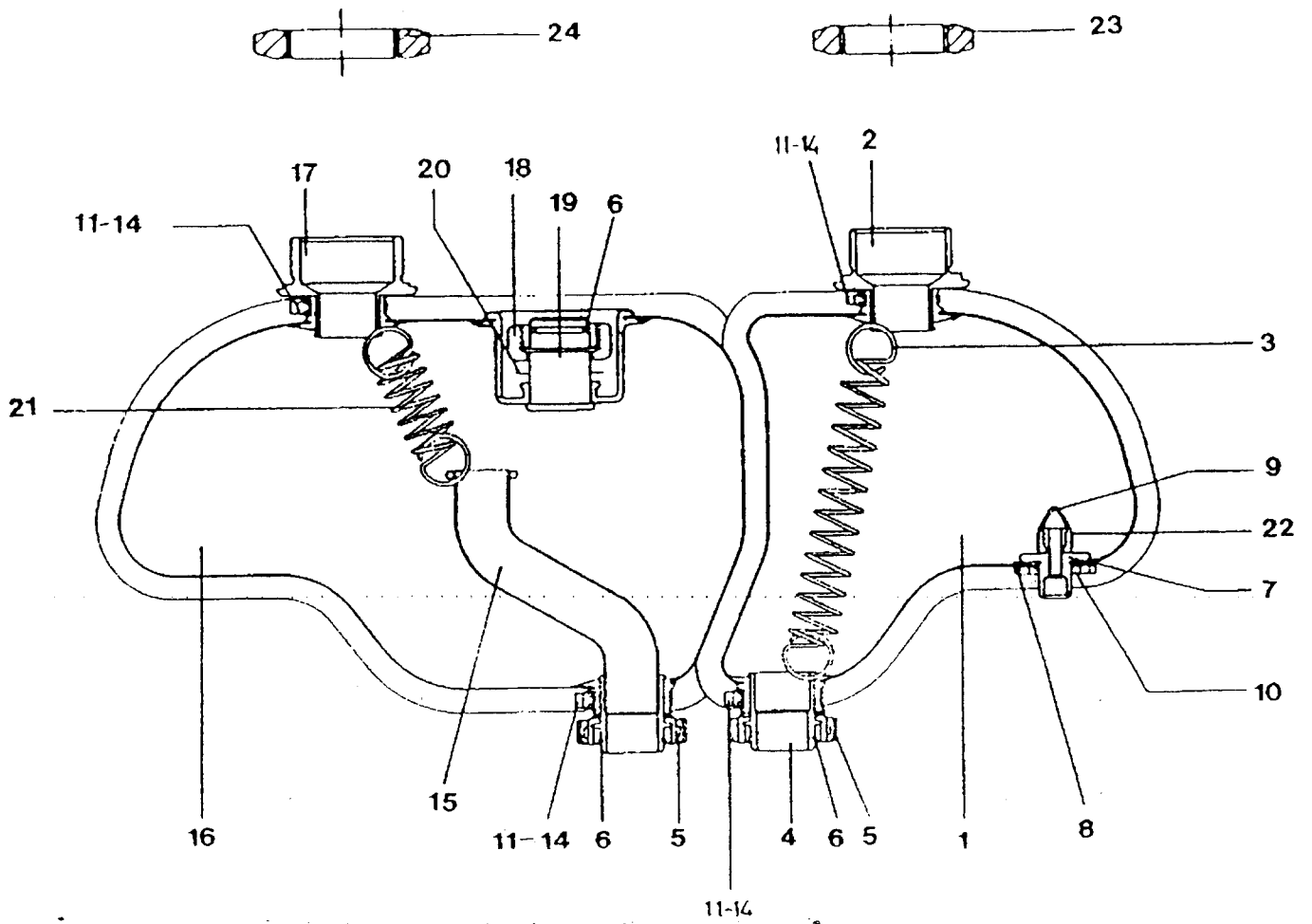
subject to change without notice.

Spare parts list  
FGG III Mixed-Gas Diving Unit

Edition  
06.05.91

Spare parts list  
2216.1 e  
Sheet : 19  
Image : 9

T11448



subject to change without notice

Spare parts list  
FGG III Mixed-Gas Diving Unit

Edition  
06.05.91

Spare parts list  
2216.1 e  
Sheet : 20

T11448

Item Number	D e s i g n a t i o n	Order Code	Packaged Quantity
1-14,22	INSPIRATION BAG	T12183	
6	O-RING	T09641	10
9	VALVE CAP	E00533	10
11	PROTECTIVE RING	T12010	10
12	CLAMP FITTING 7, 20M	1008684	
13	BAND CLAMP	R24478	10
14	CF. GERMAN DESCRIPTION	T11231	
5-6, 11-21	EXSPIRATION BAG	T12184	
23	RING NUT	T10748	5
24	RING NUT	T10749	5

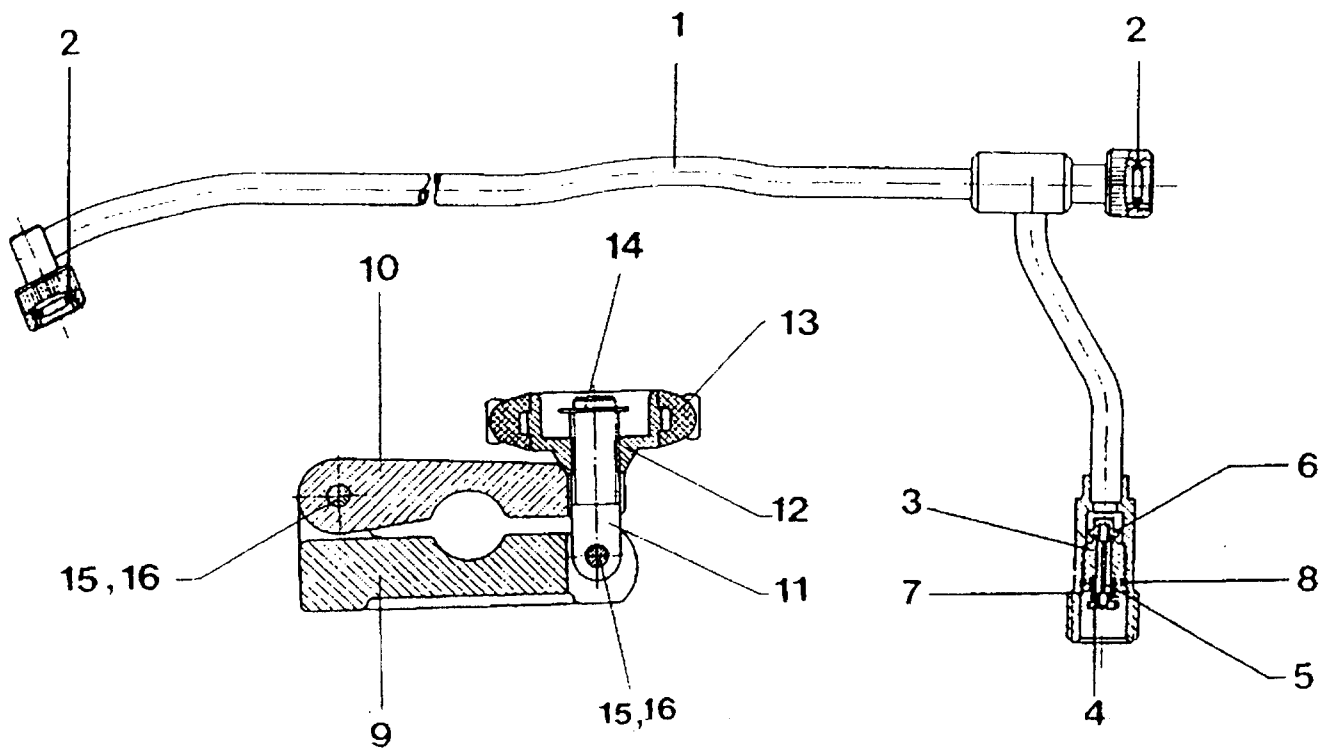
subject to change without notice.

Spare parts list  
FGG III Mixed-Gas Diving Unit

Edition  
06.05.91

Spare parts list  
2216.1 e  
Sheet : 21  
Image : 10

T11448



DrägerService  
Industrial Safety

subject to change without notice

Spare parts list  
FGG III Mixed-Gas Diving Unit

Edition  
06.05.91

Spare parts list  
2216.1 e  
Sheet : 22

T11448

Item Number	D e s i g n a t i o n	Order Code	Packaged Quantity
1-8	CONNECTING LINE	T10114	
2	O-RING	T08731	10
8	O RING	T09839	10
9-18	CF. GERMAN DESCRIPTION	T10705	
13	HAND WHEEL	R20318	

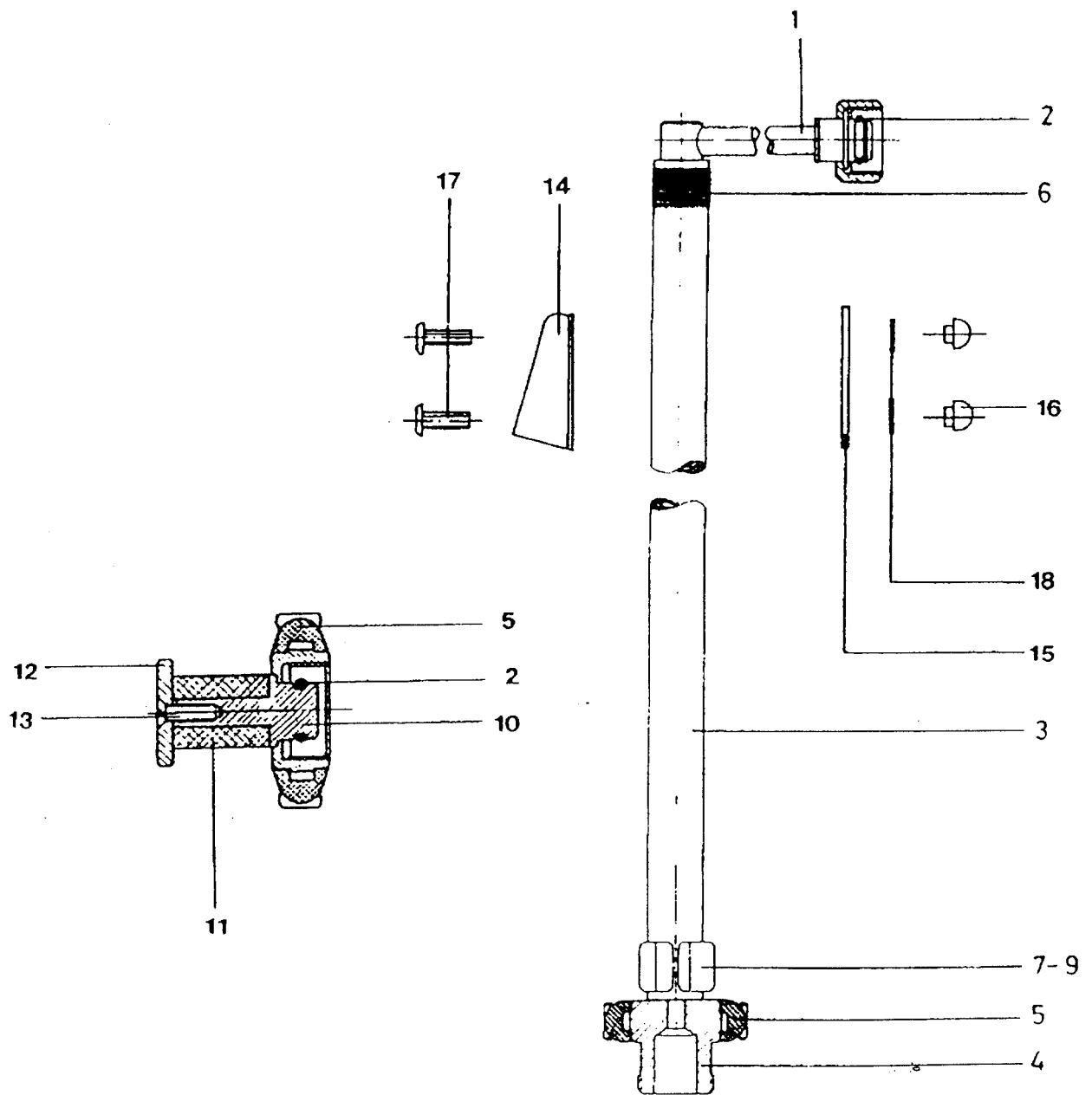
subject to change without notice.

Spare parts list  
FGG III Mixed-Gas Diving Unit

Edition  
06.05.91

Spare parts list  
2216.1 e  
Sheet : 23  
Image : 11

T11448





subject to change without notice

Spare parts list  
FGG III Mixed-Gas Diving Unit

Edition  
06.05.91

Spare parts list  
2216.1 e  
Sheet : 24

T11448

Item Number	D e s i g n a t i o n	Order Code	Packaged Quantity
1-9	CF. GERMAN DESCRIPTION	T10685	
2	O RING	T09839	10
5	HAND WHEEL	R20318	
10-13, 2+5	LOCK, COMPL. T10747		